

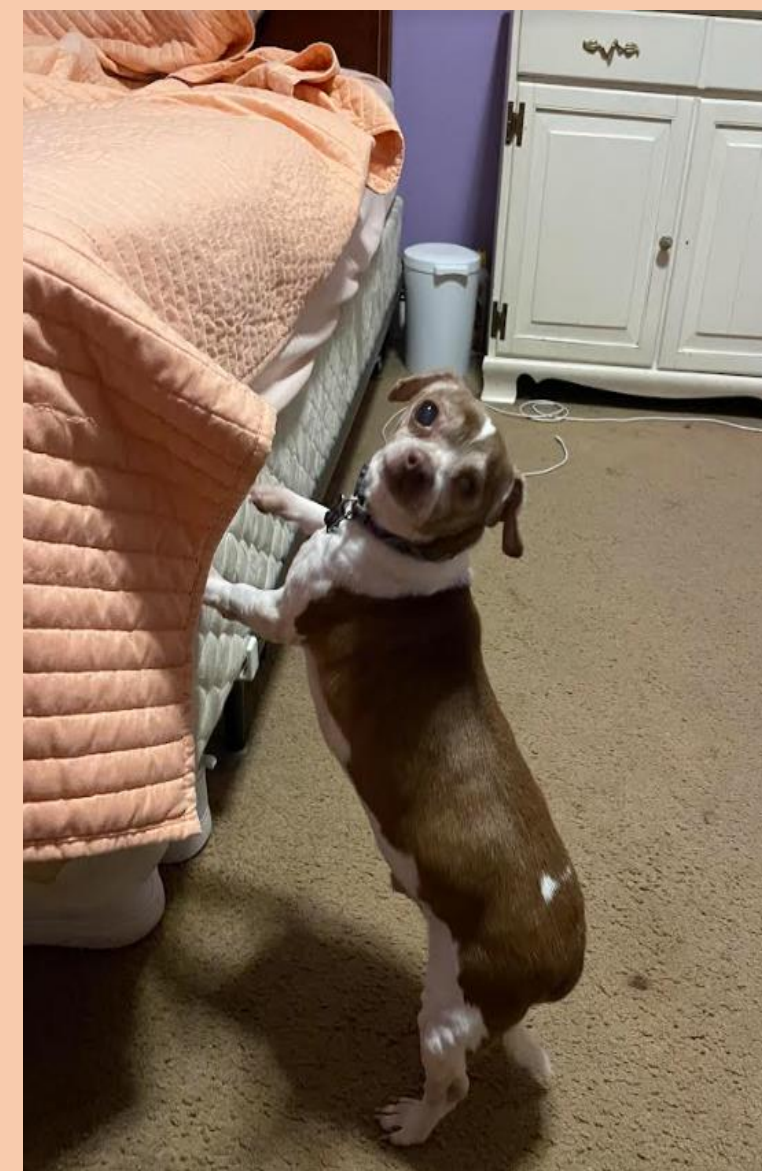


Adjustable  
Pet Stairs

Emily Catanzaro, Brian Cooper,  
Leah Cunha, Jacob Dauphinee,  
Jonathan Murray,  
Charles Myette, Colby Reilly

These adjustable pet stairs allow your furry friend to access elevated surfaces. Operated by a simple hand crank, Adapt-a-Paws provide you and your pet with the ease you need to curl up on the couch.

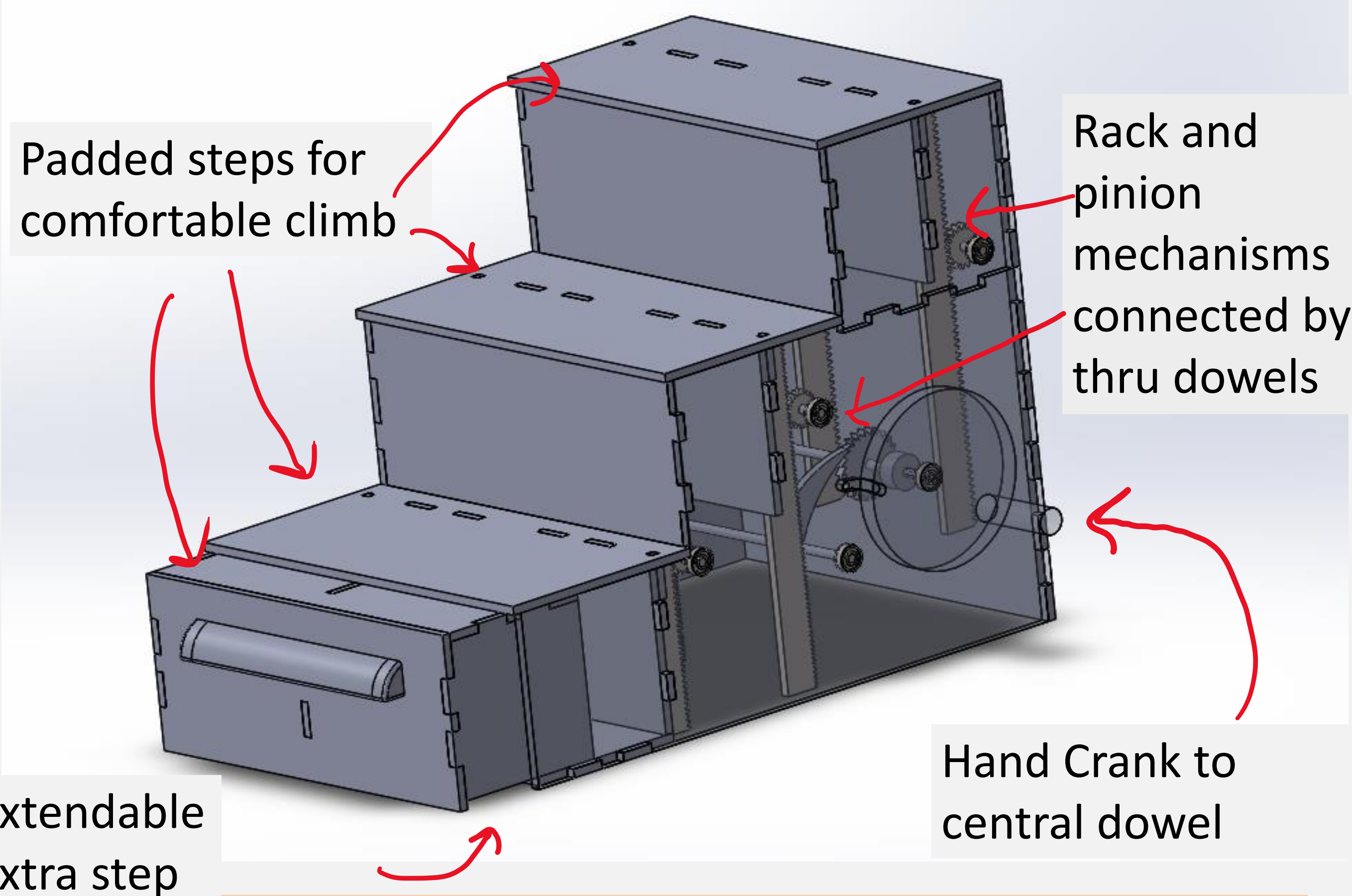
Feature	Function	Benefit
Rack and Pinion	Adjusts to 15"-22"	Allows dogs to access comfortable spaces
Hand Crank	Makes the stairs go up and down	Ease of use
Diff Materials outside	Styled to interior design	Helps match house aesthetic
Strong, Rigid Exterior	Supports pets up to 180lbs	Useful for all pets of all sizes



Dogs often need to be helped on and off beds, couches, and more to prevent injury



Current "adjustable" stairs to don't meet most household requirements



Extendable  
extra step

Hand Crank to  
central dowel

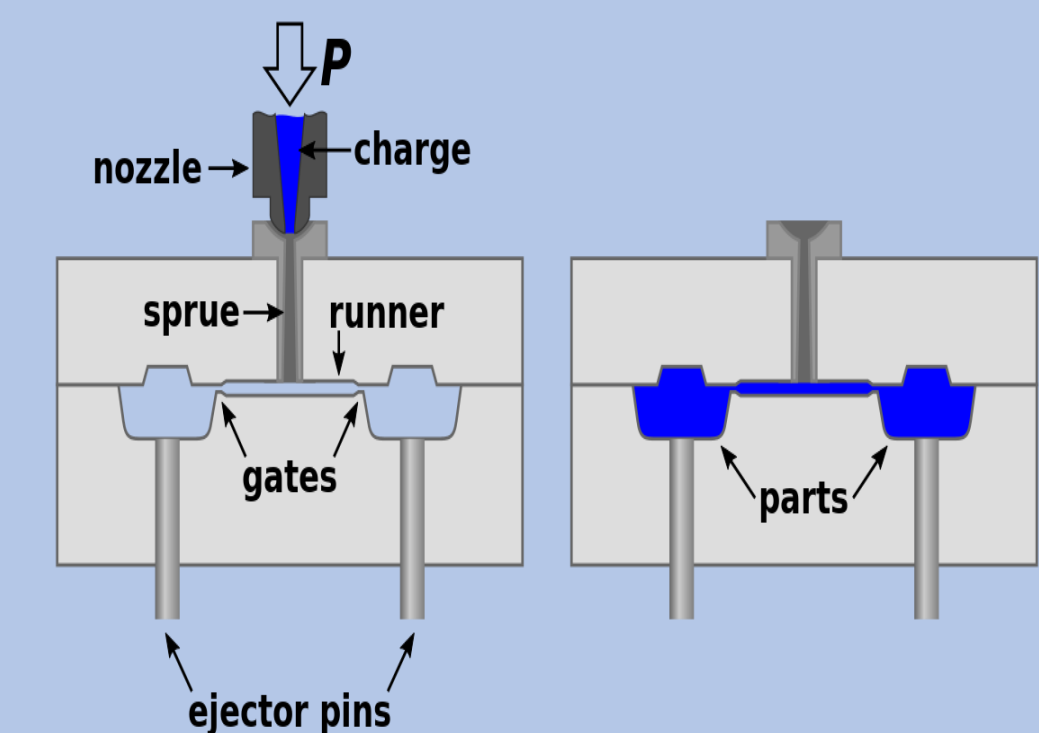
### Product Description

The Adapt-a-paws Adjustable Pet Stairs operate on a system of interconnected cranks. With the turn of the handle, the top three stairs rise in sync to reach new heights. An extra drawer-step will create a new layer, becoming the 4th riser. All steps are locked in with a ratcheted tooth stop and will comfortably hold.

### Market/Business

- 55.8 million households in the US have elderly pets
- ~1% market capture
- First 3 years = \$2.9m
- MRSP = \$149.99

### Path Forward



When transitioning from proof of concept prototype to mass production product, plastic injecting molding will save weight, money, as well as make manufacturing easier.