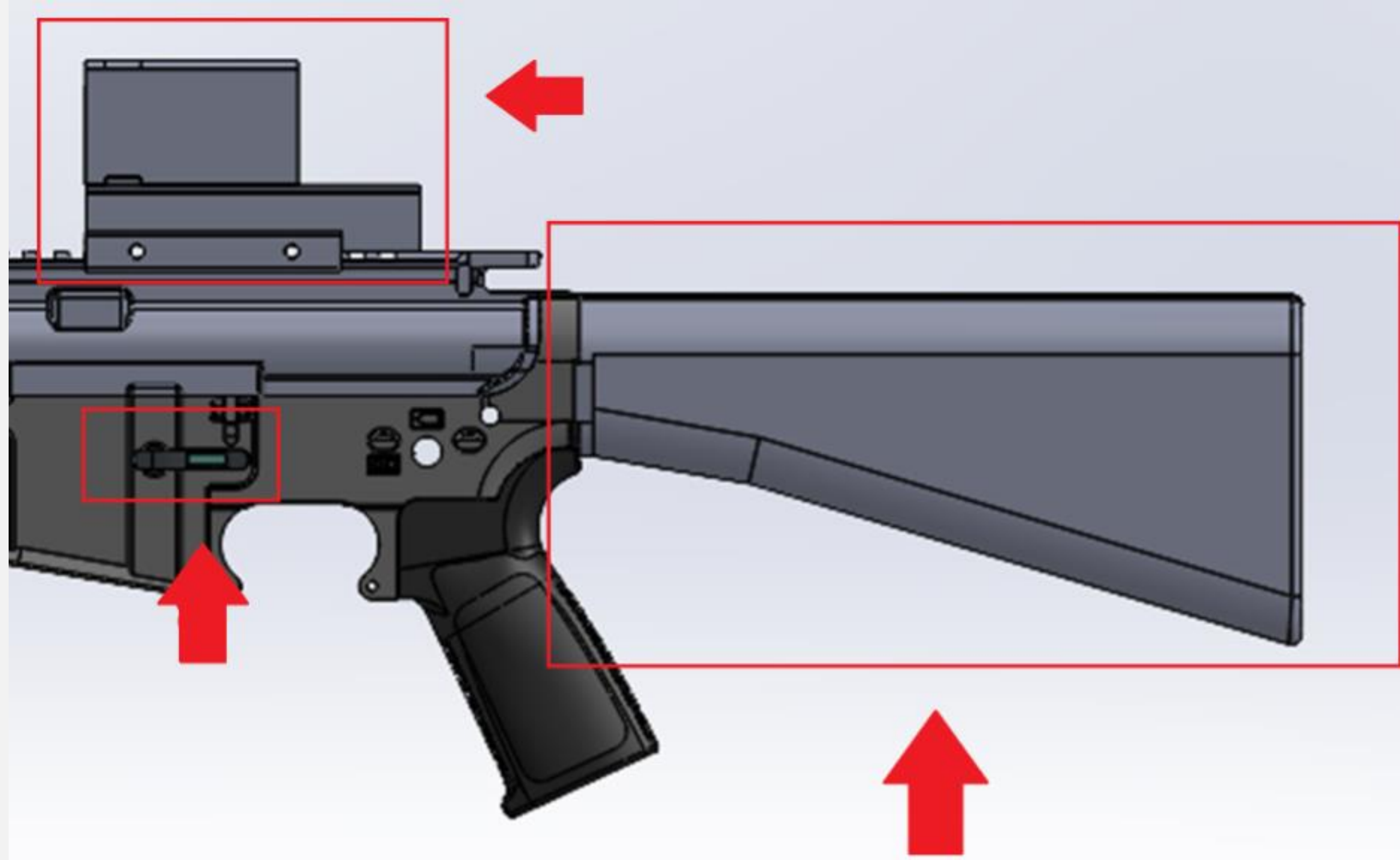




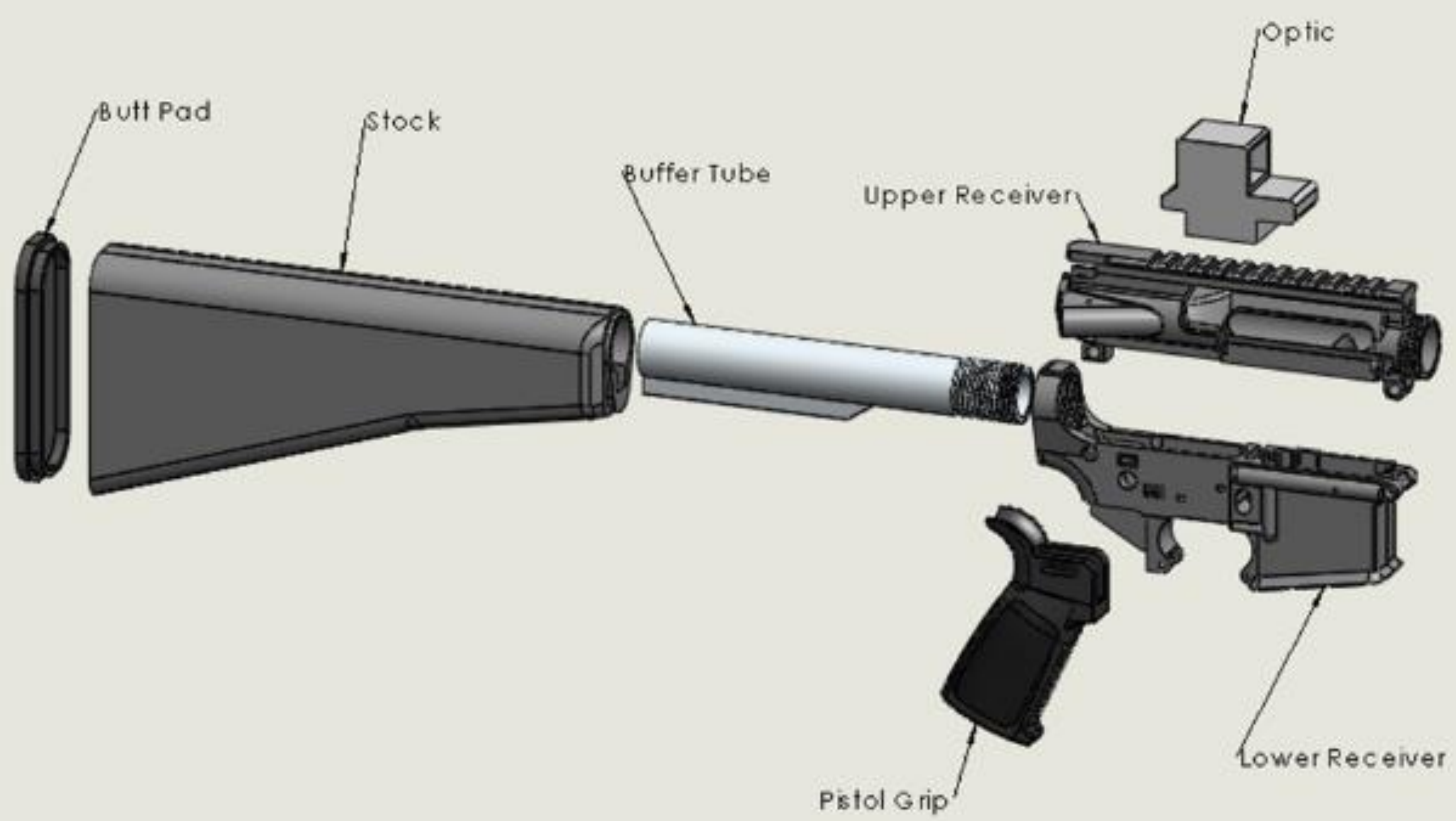
<b>Total Available Market: 22,161,786</b>
<b>Service Addressable Market: 11,080,893</b>
<b>Service Obtainable Market: 2,216,178</b>

**Year 3 Total Revenue:  
\$5,011,348**



**Cerberus replaces the stock, magazine release, and optic on the AR platform, tracking rounds fired to help operators maintain their rifle and stay aware of their ammo during critical operations.**

**Cerberus integrates multiple switches to track how many rounds are remaining. Switches are simple and reliable, allowing system to keep track even in event of malfunctions.**



Feature	Function	Benefit
<b>Digital ammo display</b>	Display the number of rounds remaining in the magazine	The user knows how many rounds remain in their magazine. Better manage reloads
<b>Multifunction button</b>	Display the total number of rounds fired in the recorded period	Users can look back at the total number of rounds fired in a given period
<b>1x magnification optic</b>	Maintain field of view while shooting	Good for shooting targets at close range, easy to see target and surroundings